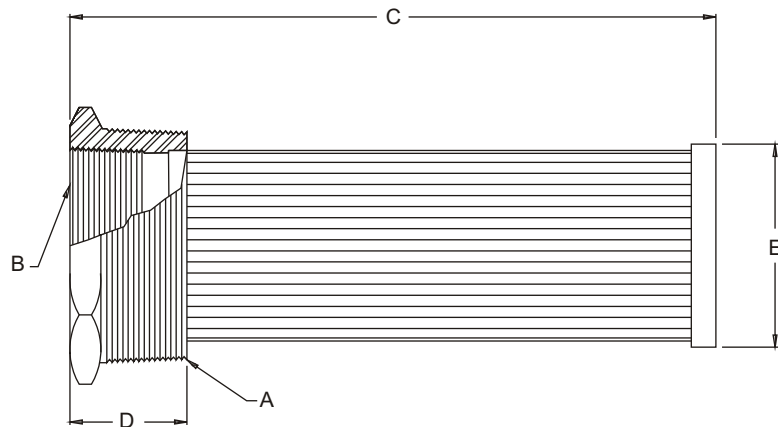
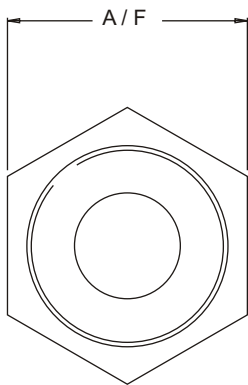


TANK MOUNTED SERIES

- TANK MOUNTED REUSABLE STRAINER
- SIDE WALL OR TANK TOP MOUNTING
- FLOWS TO 100 GPM (400 LPM)
- STAINLESS STEEL PLEATED MEDIA
- 100 MESH (149 MICRON) STANDARD
- M.S. / C.I. BUSHING



Series	Bushing Size Dim. A x Dim. B N.P.T	LPM / GPM Rating	Screen Area SQ. IN.	Dimensions			
				C	D	E	A / F
TMS - 005	1" x 1 / 2"	20 / 5	35	137	28	28	38
TMS - 010	1 - 1 / 4" x 3 / 4"	40 / 10	64	190	31	36	46
TMS - 015	1 - 1 / 2" x 1"	60 / 15	86	210	33	42	50
TMS - 025	2" x 1 - 1 / 4"	100 / 25	125	254	33	54	65
TMS - 050	3" x 2"	200 / 50	260	260	43	78	82
TMS - 100	4" x 3"	400 / 100	315	287	46	96	118
TMS - 200	6" x 4"	800 / 200	450	316	58	145	144

MODEL CODE : ASSEMBLY

TMS	- 005	- ***	- 149	- RB3
SERIES	SIZE	NPT THD NORMS THD 'A' THD 'B'	μMICRONS	OPTIONAL
TMS	005	08N 04N	149 - STD (OMIT IF STD). OTHER RATING (OPTIONAL)	RB3 - 3 P.S.I. BYPASS VALVE (OMIT IF NOT REQD.)
	010	10N 06N		
	015	12N 08N		
	025	16N 10N		
	050	24N 16N		
	100	32N 24N		
	200	48N 32N		

CONTACT FACTORY FOR OPTIONAL FEATURE

DIMENSIONS IN MM FOR REFERENCE ONLY