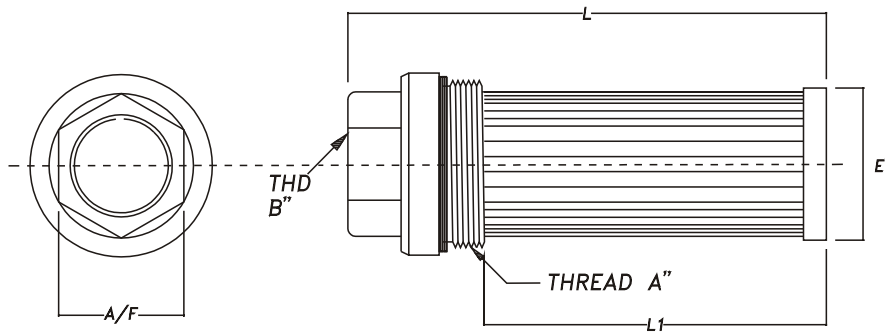


TANK MOUNTED SERIES



- TANK MOUNTED REUSABLE STRAINER
- SIDE WALL OR TANK TOP MOUNTING
- FLOWS TO 40 GPM (160 LPM)
- STAINLESS STEEL PLEATED MEDIA
- 100 MESH (149 MICRON) STANDARD
- DIE CAST ALUMINIUM BUSHING



Series	Bushing Size Dim. A x Dim. B UN (2A) X UN (2B)	LPM / GPM Rating	Screen Area SQ. IN.	Dimensions			
				L	L1	E	A / F
TMA - 16	2-1/2" -12 x 1 - 5/16" - 12	40 / 10	90	230	194	57	54
TMA - 20	2-1/2" -12 x 1 - 5/8" - 12	60 / 15	90	230	194	57	54
TMA - 24	3-3/8" -12 x 1 - 7/8" - 12	120 / 30	230	225	185	78	65
TMA - 32	3-3/8" -12 x 2 - 1/2" - 12	160 / 40	230	235	196	78	76

MODEL CODE : ASSEMBLY

TMA	- 16	- ***	- 149	- RB3
SERIES	SIZE	SAE STD THD 'A' THD 'B'	μ.MICRONS	OPTIONAL
TMA	16	32S - 16S	149 - STD	RB3 - 3 P.S.I. BYPASS VALVE (OMIT IF NOT REQD.)
	20	32S - 20S	(OMIT IF STD).	
	24	48S - 24S	OTHER RATING	
	32	48S - 32S	(OPTIONAL)	

CONTACT FACTORY FOR OPTIONAL FEATURE

DIMENSIONS IN MM FOR REFERENCE ONLY