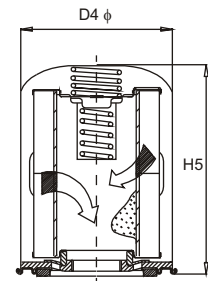
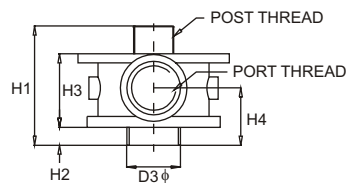
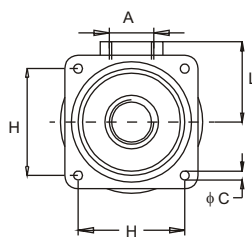
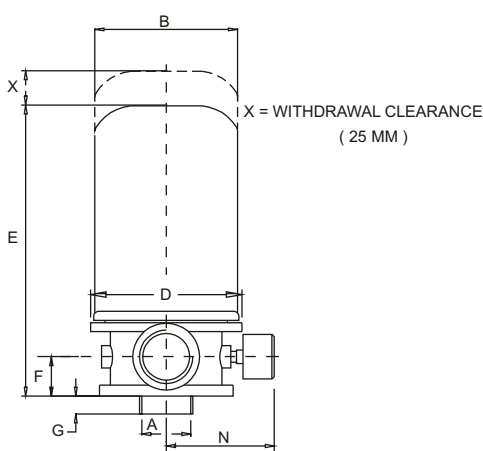


FILTER - TANK MOUNTED SPIN ON



- DISPOSABLE SPIN ON
- DIE CAST ALUMINIUM HEAD
- ELEMENT WITH BY PASS VALVE
- FLOWS TO 50 LPM
- PRESSURE - MAX. 10 BAR / TEST 15 BAR / BURST 20 BAR
- ANTI DRAIN FLAP TO MINIMISE SPILLAGE WHILE CHANGING ELEMENT
- FOR USE WITH MINERAL / PETROLEUM BASED OILS
- MAX TEMP. 80° C



MODEL CODE	A BSPP	B	C	D	E	F	G	H	L	N	WT KGS
TFR3 - 06	3/4"	96	7	75	196	25	18	70	55	72	1.3

HEAD

MODEL CODE	PORT THREAD	POST THREAD	D3	H1	H2	H3	H4	WT KGS
TFR3.06 B.B	3/4" BSPP	3/4" BSPP	35	80	18	53	43	0.5
TFR3.06 B.U	3/4" BSPP	1" UNF						

ELEMENT

SIZE	D4	H5	WT KGS
S/E T . 20***.	96	146	0.8

FILTER - TANK MOUNTED SPIN ON



MODEL CODE : COMPLETE ASSEMBLY

TFR3	- 06 B	- 20	- 10	B
SERIES	PORT	SIZE	FILTRATION	POST
	INCH	ELEMENT	μ MICRON	THREAD
	06 B - 3/4" BSPP	20	10 - 10 μ NOM	B - BSPP
	06 N - 3/4" NPT		25 - 25 μ NOM	U - UNF (STD)

INDICATOR : OPTIONAL

(TO BE ORDERED SEPERATELY)

GR 40 - VISUAL INDICATOR

ER - ELECTRICAL INDICATOR

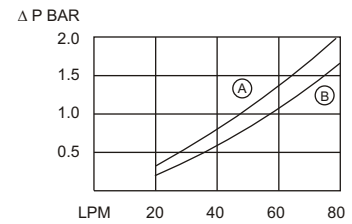
OPTIONAL / SPECIAL FEATURE - OMIT IF NOT REQUIRED
CONSULT FACTORY FOR $\beta_{10} = 75$ (ABSOLUTE) RATED ELEMENTS AVAILABILITY

MODEL CODE : BODY

TFR3	- 06	B	- B	- *
SERIES	PORT	PORT	POST	FEATURE
	SIZE	CONNECTION	THREAD	SPECIAL #
	06 - 3/4"	B - BSPP (STD)	B - BSPP	
		N - NPT	U - UNF (STD)	

OIL VISCOCITY 32 cSt @ 30° C

(A) - 10 MICRONS (B) - 25 MICRONS



TFR3 - 06

MODEL CODE : ELEMENT

***	20	- 10	B
SERIES	SIZE	FILTRATION	POST
		μ MICRON	THREAD
S/E T	20	10 - 10 μ NOM	B - BSPP
	50	25 - 25 μ NOM	U - UNF (STD)

