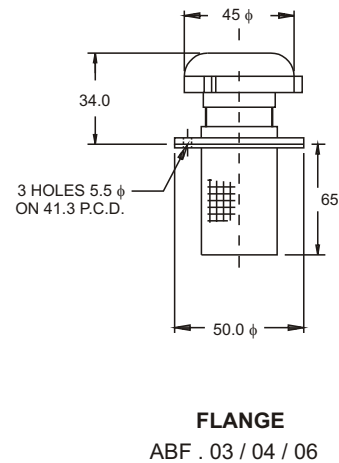
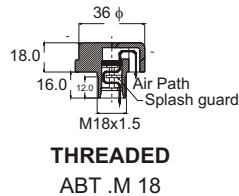
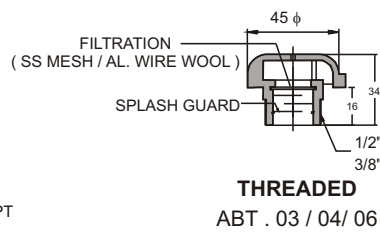
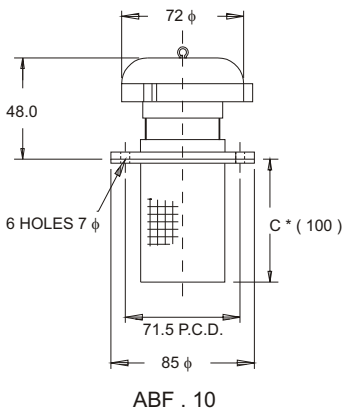
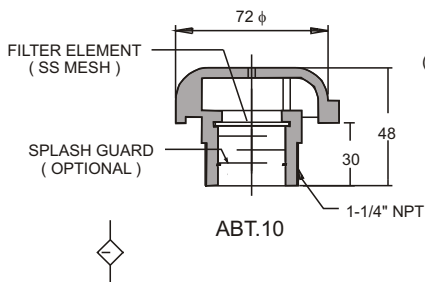


BREATHER



- STURDY ALUMINIUM DIE CAST CONSTRUCTION
- FILTRATION S.S. 100 MESH STANDARD
- FOR RUGGED APPLICATION
- METAL STRAINER STANDARD SUPPLY
- GASKET AND MOUNTING HARDWARE SUPPLIED
- OPTIONAL SPLASH GUARD TO MINIMISE SPILLAGE



AB T	- 10	N	- * *	- * *
SERIES	SIZE	THREADS	FEATURE	STRAINER
	INCH		SPECIAL #	C * OPTIONAL
AB	T - THREADED	N - NPT	NV - NON VENTING	L 6 - 152 MM L 8 - 203 MM
		B - BSPP	SG - SPLASH GUARD	
	F - FLANGE			
	03 - 3/8"			
	04 - 1/2"			
	06 - 3/4"			
	10 - 1-1/4"			

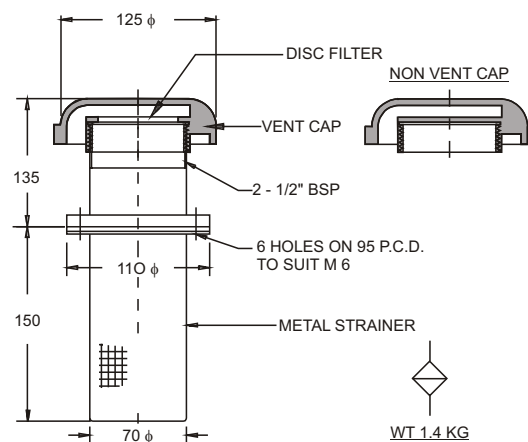
HIGH NECK

- SUITABLE FOR GEN SETS / MOBILE APPLICATION

MODEL CODE : ASSEMBLY

FSB	60	HN	* *
SERIES	SIZE	TYPE	FEATURE
	CFM		OPTIONAL #
FSB	60	HN - HIGH NECK	NV - NON VENTING

OPTIONAL / SPECIAL FEATURE - OMIT IF NOT REQUIRED



FSB - 60