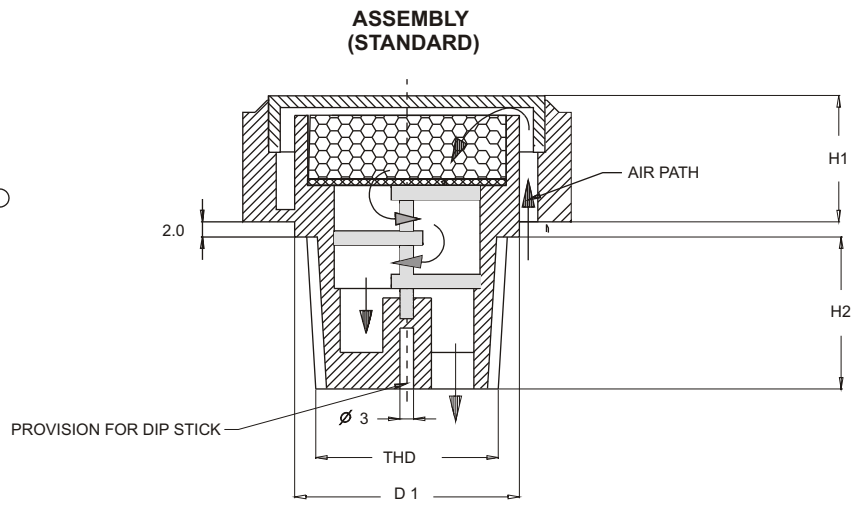
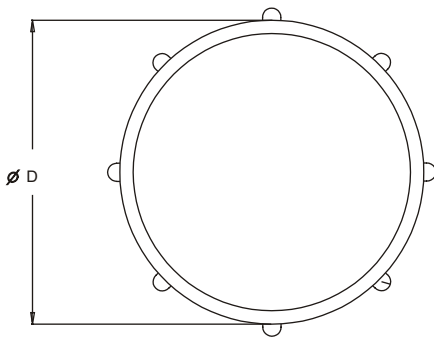
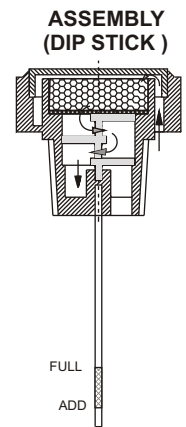


BREATHER - PLASTIC

- STURDY CONSTRUCTION (A.B.S.)
- VENTS UNDERNEATH
- SPLASH GUARD STANDARD
- FILTRATION 40 MICRONS
- SUITABLE FOR MINIATURE POWER PACKS
- DIP STICK OPTIONAL



MODEL NO	D	D 1	H 1	H 2
ABP . 03 *	34.5	21.0	15.0	15.0
ABP . 04 *	40.0	26.0	16.0	20.0
ABP . 06 *	45.0	32.5	16.0	20.5
ABP . 08 *	50.0	37.0	20.0	25.0



ABP	- **	*	- **
SERIES	SIZE	THREAD	FEATURE
	INCH		OPTIONAL #
ABP	0 3 - 3/8"	N - NPT	DS - DIP STICK
	0 4 - 1/2"		
	0 6 - 3/4"	B - BSPP	
	0 8 - 1"		

OPTIONAL / SPECIAL FEATURE - OMIT IF NOT REQUIRED.

DIMENSIONS IN MM FOR REFERENCE ONLY